

MP COMPACT BALL VALVE



IPEX THERMOPLASTIC VALVES

Special Features:

- One piece PVC body compact style
- End connections are integral part of the body
- NSF 14/61 approved
- Part of the Xirtec™ system of pipe, valves and fittings



Body Material:	PVC
Size Range:	1/2" thru 2"
Pressure:	150 psi
Seats:	Teflon®
Seals:	EPDM
End Connections:	Socket (IPS) Threaded (NPT)



GUIDE SPECIFICATION

MP SERIES: COMPACT BALL VALVE

Customer Service Centers

1.0 Ball Valve - MP

1.1 Material

- Valve body and ball shall be made from PVC resin, Sch. 40 white or Sch. 80 grey, which meets or exceeds 12454 according to ASTM D-1784.

1.2 Seals

- Seal material shall be EPDM.

2.0 Design Features

- One piece PVC body.

2.1 Pressure Rating

- Valves shall be rated for 150 psi at 73°F (non-shock).

3.0 Ball valve shall be Xirtec™ 140 by IPEX or approved equal.

Charlotte

10100 Rodney Street, Pineville, NC 28134
Tel: (704) 889-2431
Toll Free: (800) 578-7681
Fax: (704) 889-2810

Chicago

46 Sherwood Terrace, Lake Bluff, IL 60044
Tel: (847) 295-4643
Toll Free: (800) 258-1445
Fax: (847) 295-6038

Houston

2228 Wirtcrest, Suite H, Houston, TX 77055
Tel: (713) 683-3893
Toll Free: (800) 735-4784
Fax: (713) 683-6259

Louisville

2000 Watterson Trail, Louisville, KY 40299
Tel: (502) 491-8939
Toll Free: (800) 766-2037
Fax: (502) 491-8796

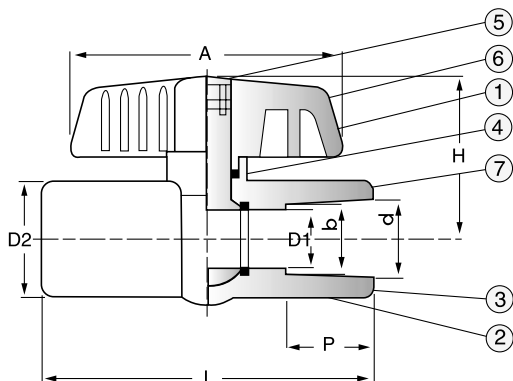
Toronto

2441 Royal Windsor Drive, Mississauga, ON L5J 4C7
Tel: (905) 403-0264
Toll Free: (800) 463-9572
Fax: (905) 403-9195

TECHNICAL DATA

Dimensions						
d / R	D ₁	P	L	D ₂	H	A
1/2	0.591	0.875	3.110	1.378	1.850	2.756
3/4	0.787	1.000	3.543	1.575	2.244	3.031
1	0.984	1.125	4.134	1.890	2.402	3.504
1 1/4	1.260	1.250	4.764	2.126	2.598	3.504
1 1/2	1.535	1.375	5.000	2.441	2.913	4.370
2	1.969	1.500	5.866	2.953	3.150	5.472

Dimensions are in inches.



Size (in)	Cv
1/2	13
3/4	25
1	49
1 1/4	70
1 1/2	112
2	217

Cv = flow rate (GPM) @ 68°F with 1 psi pressure drop

IPEX offers the world's most extensive range of thermoplastic piping systems for the industrial, mechanical, municipal and electrical markets.

www.ipexinc.com

WARRANTY: All IPEX products are guaranteed against defects resulting from faulty workmanship or materials. If any such product is found to be defective by reason of faulty workmanship or materials, upon written notice and return of the product, the defective product will be replaced by IPEX free of charge, including shipping charges for the replacement product. Claims for labor costs and other expenses required to replace such defective product or to repair any damage resulting from the use thereof will not be allowed by IPEX. Our liability is limited to the price paid for the defective product. IPEX will not be bound by any warranty, other than above set forth, unless such warranty is in writing.

This literature is published in good faith and is believed to be reliable. However, IPEX does not represent and/or warrant in any manner the information and suggestions contained in this brochure. Data presented is the result of laboratory tests and field experience.

IPEX maintains a policy of ongoing product improvement. This may result in modifications of features and/or specifications without notice.

Position	Components	Material
1	stem	PVC
2	ball	PVC
3	body	PVC, Sch 40 white or Sch 80 grey
4	stem o-ring	EPDM
5	cap	ABS
6	handle	ABS
7	seat	TEFLON

