

# FE BUTTERFLY VALVE



## IPEX THERMOPLASTIC VALVES

### Special Features:

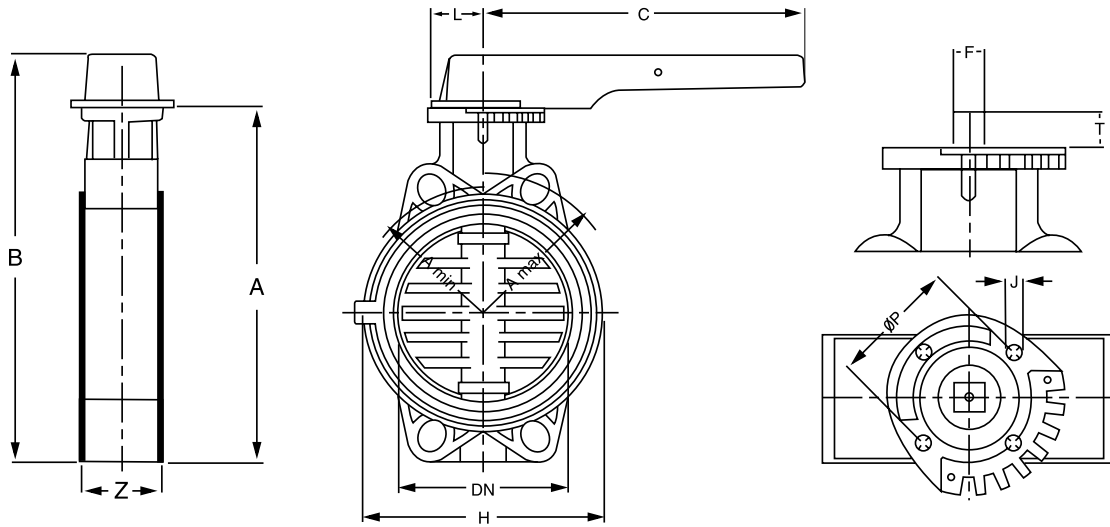
- Bi-directional flow
- Ease of throttle. Special key system allows for several throttling positions
- Special antifriction rings allow for low torque
- Double sealed shaft
- Self centering seat
- ISO pad and shaft dimension
- Part of the Xirtec™ system of pipe, valves and fittings



Body Material:	PVC
Size Range:	2 1/2" thru 8"
Disc:	PVC
Pressure:	150 psi
Seal:	EPDM
End Connection:	Flanged (ANSI 150)

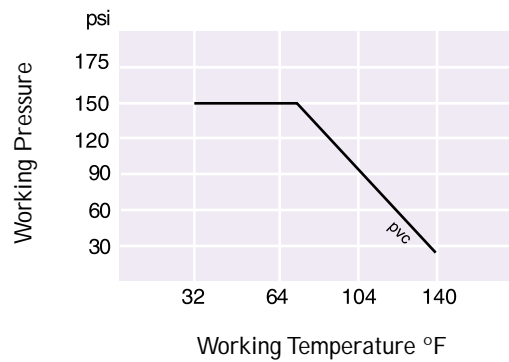
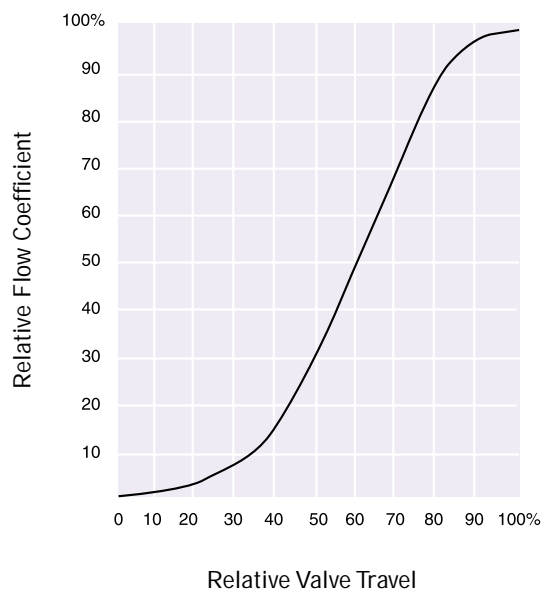


# TECHNICAL DATA



Dimensions													
D	B	Z	C	H	A min	A max	F	T max	P	J	L	V	Wgt
2 1/2	9.76	1.81	9.84	6.50	5.06	5.67	0.43	0.47	1.97	0.28	1.77	7.83	3.19
3	10.37	1.93	9.84	5.12	5.71	6.26	0.55	0.63	2.76	0.35	1.77	8.78	3.59
4	11.81	2.20	9.84	5.91	6.50	7.50	0.55	0.63	2.76	0.35	1.77	9.92	4.40
5	13.23	2.52	13.23	7.28	8.03	8.46	0.67	0.75	2.76	0.35	1.77	11.34	6.16
6	14.17	2.76	13.23	8.27	9.06	9.53	0.67	0.75	2.76	0.35	1.77	12.28	8.14
8	15.28	2.80	16.73	12.69	11.03	11.74	0.87	0.95	4.02	0.43	2.36	15.29	14.42

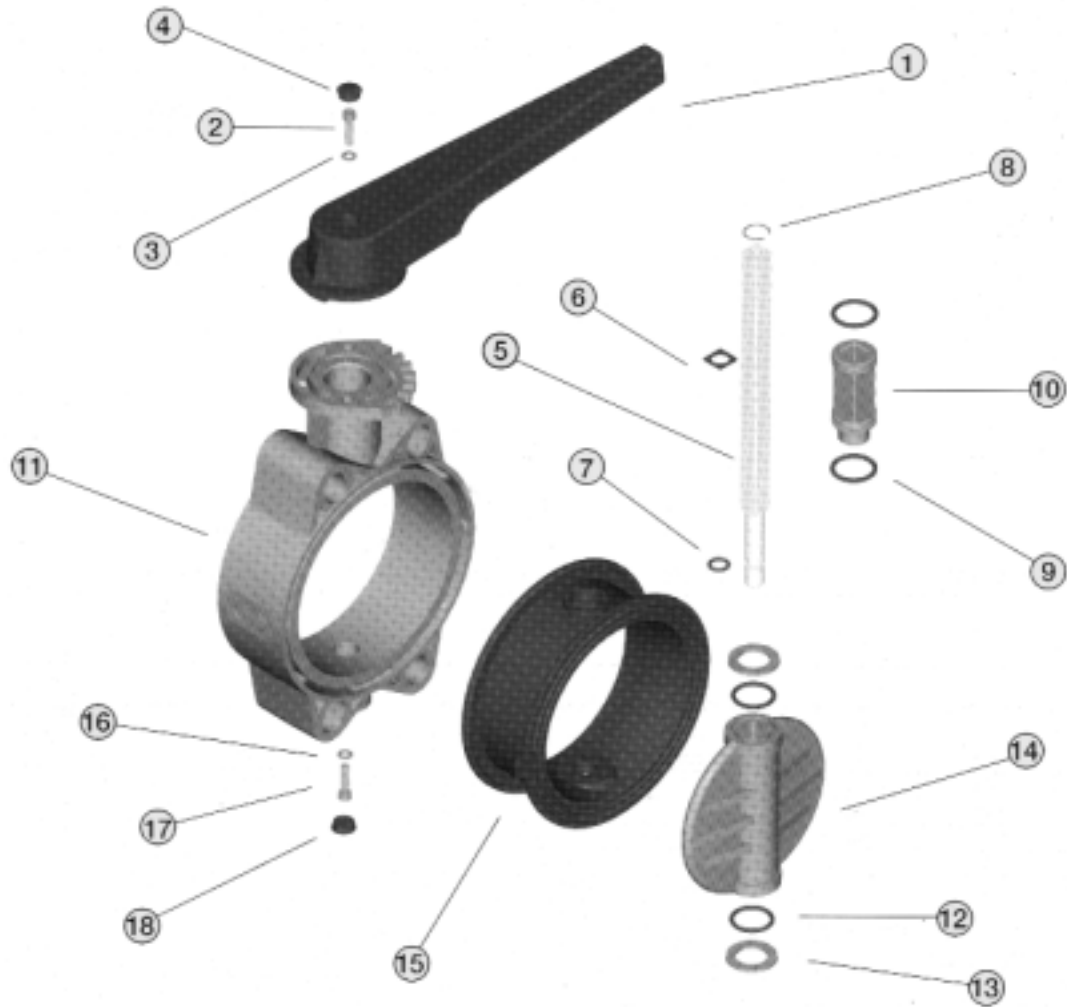
Dimensions are in inches, weight in pounds.



Cv = flow rate (GPM) @ 68°F with 1 psi pressure drop

Size (in)	Cv
2 1/2	119
3	248
4	413
5	692
6	1309
8	2135

## EXPLODED PARTS VIEW



Position	Components	Material
1	handle	PVC
2	screw	stainless steel
3	washer	stainless steel
4	protection cap	PE
5	shaft	zinc plated steel
6	shaft o-ring	EPDM or VITON
7	shaft o-ring	EPDM or VITON
8	seeger ring	stainless steel
9	bush o-ring	EPDM or VITON
10	bush	nylon
11	body	PVC
12	disc o-ring	EPDM or VITON
13	anti-friction ring	PTFE
14	disc	PVC
15	primary liner	EPDM or VITON
16	washer	stainless steel
17	screw	stainless steel
18	protection cap	PE

# GUIDE SPECIFICATION

## FE SERIES: BUTTERFLY VALVE

### 1.0 Butterfly Valves - FE

#### 1.1 Material

- Valve body and disc shall be made of PVC resin which meets or exceeds the requirements of 12454 according to ASTM D-1784.
- Valve shaft shall be made of Zinc plated steel.

#### 1.2 Seats

- Liner boot shall be EPDM.

#### 1.3 Seals

- O-ring shall be EPDM.

### 2.0 Design Features

- Shaft shall have standard ISO square dimensions for direct mounting of actuators.
- Disc seating shall be provided by a pyramidal elastomeric liner boot.
- Liner shall:
  - a) completely isolate valve body from flow.
  - b) function as flange gasket on both sides of the valve.
- Body cavity shall feature a special serrated surface to prevent liner slippage and compression.

#### 2.1 Pressure Rating

- Valves shall be rated at 150 psi at 73°F.

### 3.0 Butterfly valves shall be Xirtec™ 140 by IPEX or approved equal.

### Customer Service Centers

#### Charlotte

10100 Rodney Street, Pineville, NC 28134  
Tel: (704) 889-2431  
Toll Free: (800) 578-7681  
Fax: (704) 889-2810

#### Chicago

46 Sherwood Terrace, Lake Bluff, IL 60044  
Tel: (847) 295-4643  
Toll Free: (800) 258-1445  
Fax: (847) 295-6038

#### Houston

2228 Wirtcrest, Suite H, Houston, TX 77055  
Tel: (713) 683-3893  
Toll Free: (800) 735-4784  
Fax: (713) 683-6259

#### Louisville

2000 Watterson Trail, Louisville, KY 40299  
Tel: (502) 491-8939  
Toll Free: (800) 766-2037  
Fax: (502) 491-8796

#### Toronto

2441 Royal Windsor Drive, Mississauga, ON L5J 4C7  
Tel: (905) 403-0264  
Toll Free: (800) 463-9572  
Fax: (905) 403-9195

IPEX offers the world's most extensive range of thermoplastic piping systems for the industrial, mechanical, municipal and electrical markets.

[www.ipexinc.com](http://www.ipexinc.com)

**WARRANTY:** All IPEX products are guaranteed against defects resulting from faulty workmanship or materials. If any such product is found to be defective by reason of faulty workmanship or materials, upon written notice and return of the product, the defective product will be replaced by IPEX free of charge, including shipping charges for the replacement product. Claims for labor costs and other expenses required to replace such defective product or to repair any damage resulting from the use thereof will not be allowed by IPEX. Our liability is limited to the price paid for the defective product. IPEX will not be bound by any warranty, other than above set forth, unless such warranty is in writing.

This literature is published in good faith and is believed to be reliable. However, IPEX does not represent and/or warrant in any manner the information and suggestions contained in this brochure. Data presented is the result of laboratory tests and field experience.

IPEX maintains a policy of ongoing product improvement. This may result in modifications of features and/or specifications without notice.

