

# FK BUTTERFLY VALVE



## IPEX THERMOPLASTIC VALVES

### Special Features:

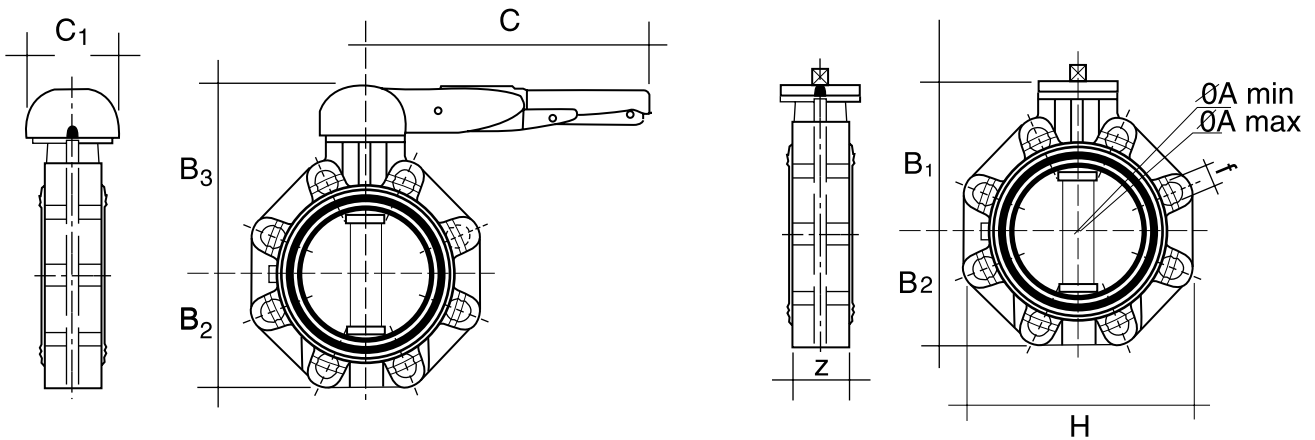
- Bi-directional flow
- Ease of throttle. Valve can be locked in several intermediate positions by a special key system
- Special antifriction rings allow for low torque
- Advanced seat design ensures bubble tight closure and low break away
- Special shaped disc ensures minimal pressure loss and turbulence
- Double sealed shaft
- Wafer and lug design
- Self centering seat
- ISO pad and shaft dimension
- Part of the Xirtec™ system of pipe, valves and fittings



Body Material:	Glass filled PP
Size Range:	2 1/2" thru 8"
Disc Material:	PP, CPVC, PVDF, ABS
Pressure:	150 psi
Seals:	EPDM or VITON
Body Style:	Wafer or lug
End Connection:	Flanged (ANSI 150)

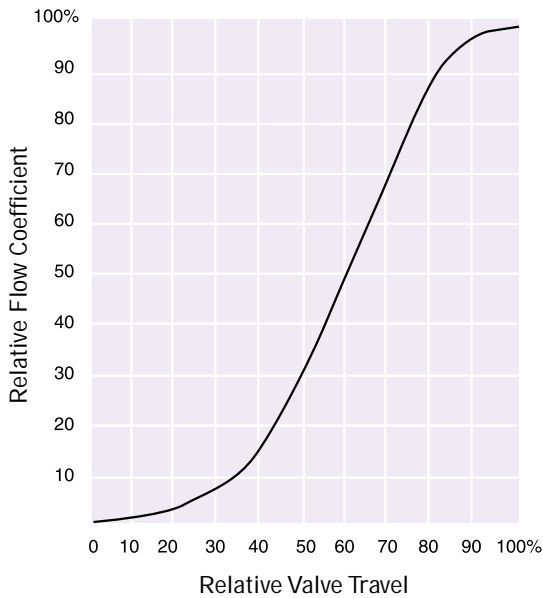


# TECHNICAL DATA



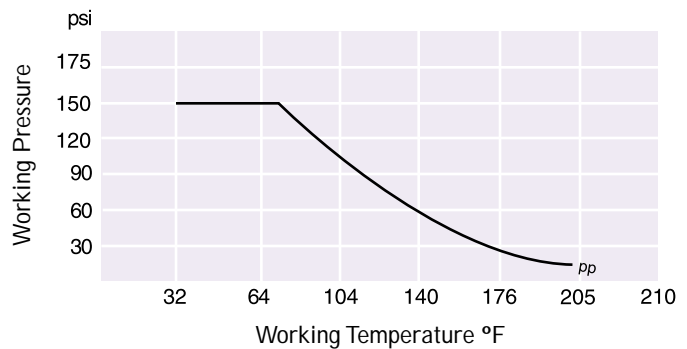
Dimensions											
d	A min	A max	B1	B2	B3	C	C1	f	H	Z	Weight
2 1/2	5.04	5.70	4.69	3.15	6.46	10.70	4.33	0.75	6.50	1.81	3.23
3	5.71	6.30	5.24	3.66	7.00	10.70	4.33	0.75	7.28	1.93	4.11
4	6.50	7.50	5.79	4.21	7.56	10.70	4.33	0.75	8.31	2.20	4.88
5	8.03	8.50	6.57	4.72	8.35	12.99	4.33	0.91	9.45	2.52	6.82
6	9.10	9.53	7.10	5.30	8.86	12.99	4.33	0.91	10.60	2.80	8.47
8	11.02	11.73	8.94	6.34	10.71	16.54	4.80	0.91	12.72	2.80	14.35

Dimensions are in inches, weight in pounds.

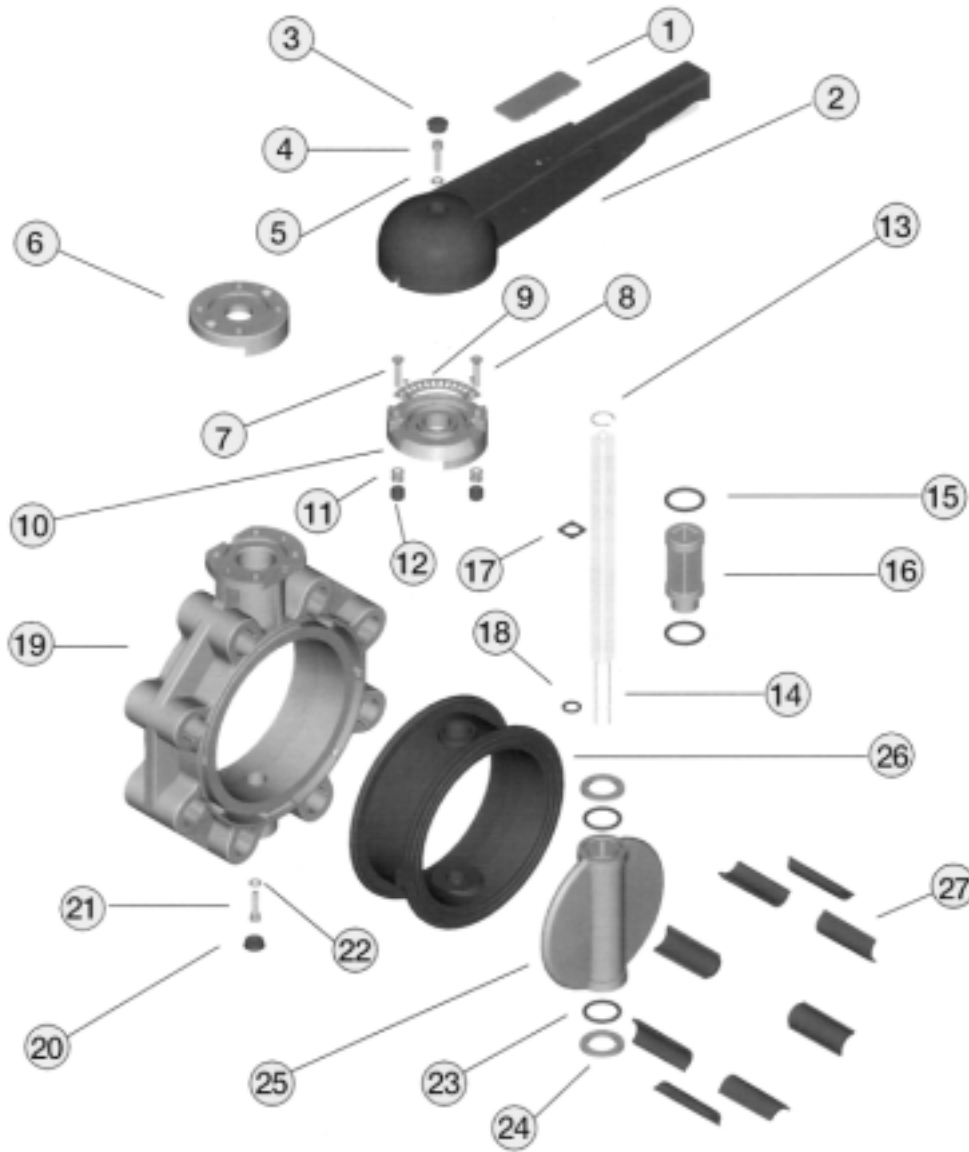


$C_v$  = flow rate (GPM)  
@ 68°F with 1 psi  
pressure drop

Size (in)	$C_v$
2 1/2	119
3	248
4	413
5	690
6	1309
8	2135



## EXPLODED PARTS VIEW



Position	Components	Material		Position	Components	Material
1	insert of the handle	ABS		15	bush o-ring	EPDM or VITON
2	handle	ABS		16	bush	Nylon
3	protection cap	PE		17	shaft o-ring	EPDM or VITON
4	screw	stainless steel		18	shaft o-ring	EPDM or VITON
5	washer	stainless steel		19	body	GR-PP
6	flange	GR-PP		20	protection cap	PE
7	screw	stainless steel		21	screw	stainless steel
8	screw	stainless steel		22	washer	stainless steel
9	ratchet	stainless steel		23	anti-friction ring	PTFE
10	pad	GR-PP		24	disc o-ring	EPDM or VITON
11	washer	stainless steel		25	disc	PVC, PP, CPVC, ABS, PVDF
12	nut	stainless steel		26	primary liner	EPDM or VITON
13	seeger ring	stainless steel		27	inserts	ABS
14	shaft	stainless steel				

# GUIDE SPECIFICATION

## FK SERIES: BUTTERFLY VALVE

Customer Service Centers

### 1.0 Butterfly Valves - FK

#### 1.1 Material

- Valve body shall be made of glass reinforced PP(PPG) obtained from homopolymer polypropylene (PPH).
- Valve disc shall be made of homopolymer polypropylene or CPVC resin which shall meet or exceed the requirements of 23447 according to ASTM D-1784, or virgin polyvinylidene fluoride resin free of any stabilizer, antioxidants, fillers, pigments or additives.
- Valve shaft shall be made of 420 stainless steel.

#### 1.2 Seats

- Liner boot shall be EPDM or VITON (specifier to select one).

#### 1.3 Seals

- O-rings shall be EPDM or VITON (specifier to select one).

### 2.0 Design Features

- Shaft shall have standard ISO square dimensions for direct mounting of actuators.
- Disc seating shall be provided by a pyramidal elastomeric liner boot.
- Liner shall:
  - a) completely isolate valve body from flow, and
  - b) function as flange gasket on both sides of the valve
- Body cavity shall feature a special serrated surface to prevent liner slippage and compression.
- Disc, seats and seals to be the only wetted parts.
- A Teflon® seated double elastomeric seal packaging shall prevent the stainless steel shaft from becoming wetted.
- Valve shall be bubble tight and of wafer or lug design.
- Lug style valves shall feature lugs permanently integrated during molding.

#### 2.1 Pressure Rating

- Valves shall be rated at 150 psi at 73°F.

### 3.0 Butterfly valves shall be by IPEX or approved equal.

#### Charlotte

10100 Rodney Street, Pineville, NC 28134  
Tel: (704) 889-2431  
Toll Free: (800) 578-7681  
Fax: (704) 889-2810

#### Chicago

46 Sherwood Terrace, Lake Bluff, IL 60044  
Tel: (847) 295-4643  
Toll Free: (800) 258-1445  
Fax: (847) 295-6038

#### Houston

2228 Wirtcrest, Suite H, Houston, TX 77055  
Tel: (713) 683-3893  
Toll Free: (800) 735-4784  
Fax: (713) 683-6259

#### Louisville

2000 Watterson Trail, Louisville, KY 40299  
Tel: (502) 491-8939  
Toll Free: (800) 766-2037  
Fax: (502) 491-8796

#### Toronto

2441 Royal Windsor Drive, Mississauga, ON L5J 4C7  
Tel: (905) 403-0264  
Toll Free: (800) 463-9572  
Fax: (905) 403-9195

IPEX offers the world's most extensive range of thermoplastic piping systems for the industrial, mechanical, municipal and electrical markets.

[www.ipexinc.com](http://www.ipexinc.com)

**WARRANTY:** All IPEX products are guaranteed against defects resulting from faulty workmanship or materials. If any such product is found to be defective by reason of faulty workmanship or materials, upon written notice and return of the product, the defective product will be replaced by IPEX free of charge, including shipping charges for the replacement product. Claims for labor costs and other expenses required to replace such defective product or to repair any damage resulting from the use thereof will not be allowed by IPEX. Our liability is limited to the price paid for the defective product. IPEX will not be bound by any warranty, other than above set forth, unless such warranty is in writing.

This literature is published in good faith and is believed to be reliable. However, IPEX does not represent and/or warrant in any manner the information and suggestions contained in this brochure. Data presented is the result of laboratory tests and field experience.

IPEX maintains a policy of ongoing product improvement. This may result in modifications of features and/or specifications without notice.

