

True Union Ball Check Valve

Standard Features (Sizes 1/2" – 2")

- Uniseat/seal of EPDM or Viton®
- Ball is the only moving part. It unseats to permit flow in one direction but seals against seat to prevent backflow.
- May be used vertically or horizontally
- Minimum shut-off of 5 psi
- All sizes rated for full vacuum service
- Solid thermoplastic ball

Options:

- PTFE coated Viton® uniseat/seal
- Spring-loaded ball to assist ball in seating faster

Specifications

- Sizes:** True Union : 1/2" – 2"
Single Union: 3" – 4"
- Models:** Socket, Threaded, Flanged (ANSI), Butt End
- Bodies:** PVC, CPVC, PP and PVDF
- Seats:** EPDM, Viton®†, PTFE
- Seals:** EPDM, Viton®, PTFE
- Option:** Foot Valve

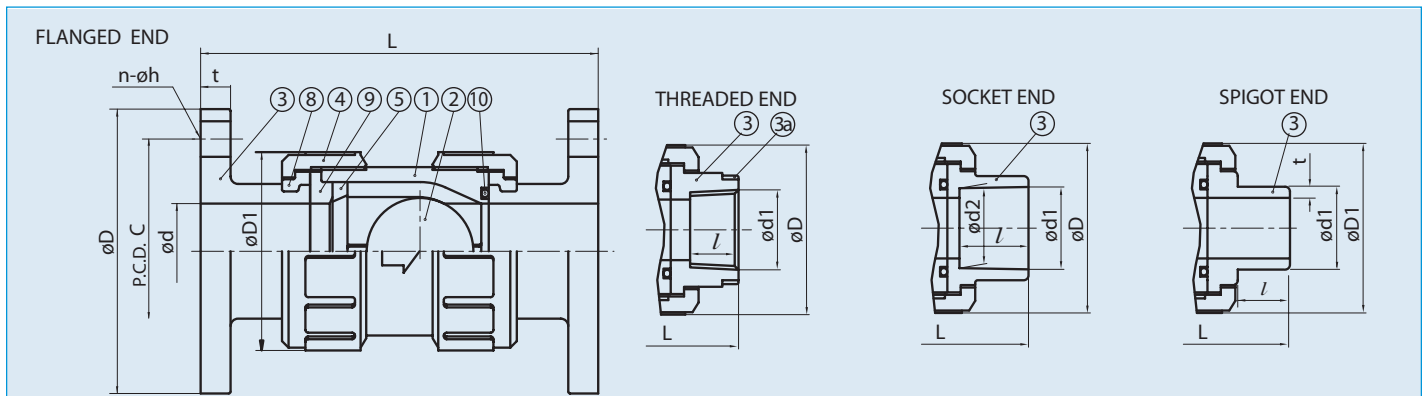
† Trademarks of E. I. du Pont de Nemours and Company

Parts List – True Union (Sizes 1/2" – 2")

PARTS			
NO.	DESCRIPTION	PCS.	MATERIAL
1	Body	1	PVC, CPVC, PP, PVDF
2	Ball	1	PVC, CPVC, PP, PVDF
3	End Connector	2	PVC, CPVC, PP, PVDF
4	Union Nut	2	PVC, CPVC, PP, PVDF
5	Stop Ring (A)	1	PVC, CPVC, PP, PVDF
8	Stop Ring (B)*	1	PVDF
9	Seat	1	EPDM, Viton®, PTFE
10	O-Ring	1	EPDM, Viton®, PTFE
3a	Ring**	1	Stainless Steel 304

* Used for flanged end

** Used for CPVC body, threaded end; 1/2" – 1"



Dimensions (Sizes 1/2" – 2")

NOMINAL SIZE	INCHES mm		FLANGED					THREADED					SOCKET										SPIGOT(BUTT END)					
			ANSI CLASS 150					d1	l	L	d	D1	PVC, CPVC		PP, PVDF (DIN)		PP, PVDF (IPS)		PP, PVDF									
			D	C	n	h	L						t	d1	l	L	d	D1	d1	d2	l	L	d1	l	L	d1	l	t
1/2	15	3.50	2.38	4	0.62	5.12	0.47	1/2-14NPT	0.59	3.39	0.59	1.89	0.848	0.836	0.688	3.43	0.768	0.760	0.57	3.19	0.83	0.87	3.31	0.787	0.728	0.098	0.075	4.00
3/4	20	3.88	2.75	4	0.62	6.10	0.55	3/4-14NPT	0.67	4.06	0.79	2.36	1.058	1.046	0.719	3.86	0.965	0.957	0.63	3.70	1.03	1.00	4.43	0.984	0.866	0.106	0.075	4.35
1	25	4.25	3.12	4	0.62	6.50	0.55	1-11/2NPT	0.79	4.45	0.98	2.76	1.325	1.310	0.875	4.37	1.240	1.232	0.71	4.13	1.30	1.13	4.35	1.260	0.866	0.118	0.094	4.75
1 1/4	30	-	-	-	-	-	-	1 1/4-11/2NPT	0.87	5.00	1.22	3.78	1.670	1.655	0.938	4.92	-	-	-	-	-	-	-	-	-	-	-	-
1 1/2	40	5.00	3.88	4	0.62	7.56	0.63	1 1/2-11/2NPT	0.98	5.94	1.57	3.78	1.912	1.894	1.094	5.94	1.947	1.937	0.93	5.62	1.89	1.37	5.57	1.969	1.260	0.181	0.118	5.75
2	50	6.00	4.75	4	0.75	8.43	0.63	2-11/2NPT	1.10	6.97	2.01	4.17	2.387	2.369	1.156	6.77	2.461	2.445	1.08	6.69	2.36	1.50	6.49	2.480	1.417	0.228	0.118	6.50

Ball Check

Single Union



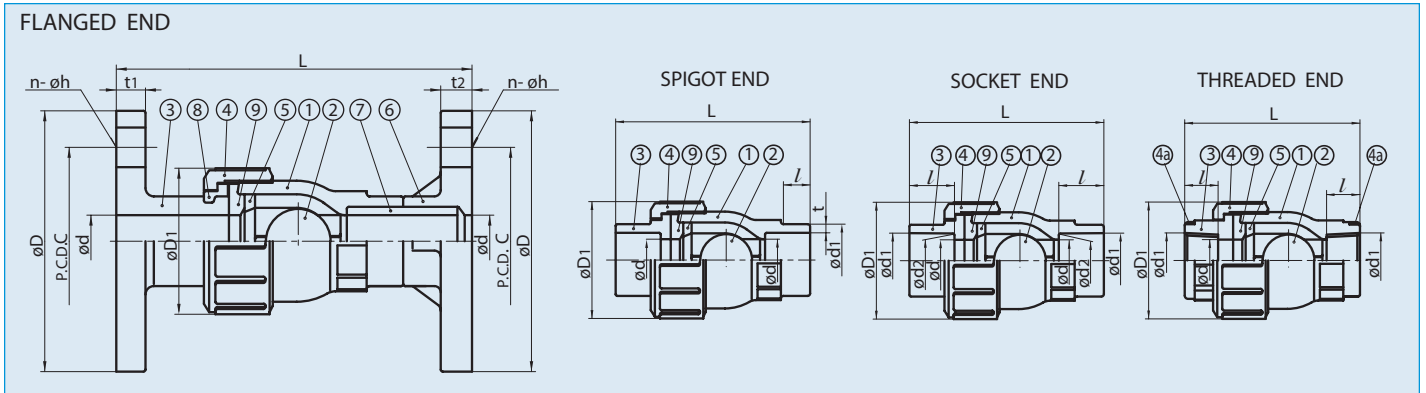
Parts List – Single Union (Sizes 3" – 4")

PARTS			
NO.	DESCRIPTION	PCS.	MATERIAL
1	Body	1	PVC, CPVC, PP, PVDF
2	Ball	1	PVC, CPVC, PP, PVDF
3	End Connector	1	PVC, CPVC, PP, PVDF
4	Union Nut	1	PVC, CPVC, PP, PVDF
5	Stop Ring (A)	1	PVC, CPVC, PP, PVDF
6	Flange		PVC, CPVC, PVDF
7	Stub		PVC, CPVC, PVDF
8	Stop Ring (B)*	1	PVDF
9	Seat	1	EPDM, Viton®, PTFE

* Used for flanged end

Dimensions (Sizes 3" – 4")

NOMINAL SIZE	FLANGED										SOCKET									THREADED			SPIGOT (BUTT END)						
	ANSI Class 150										PVC, CPVC			PP, PVDF (DIN)			PP, PVDF (IPS)						PP, PVDF						
											ASTM SCH40			DIN 16962									DIN 3442		PP	PVDF			
	INCHES	mm	d	D1	D	C	n	h	L	t1	t2	d1	d2	l	L	d1	d2	l	L	d1	l	L	d1	l	L	d1	l	t	t
3	80	3.07	5.98	7.50	6.00	4	0.75	12.20	0.71	0.87	3.516	3.492	1.875	9.57	3.512	3.498	1.40	8.46	3.480	1.874	9.55	3-8 NPT	1.38	8.74	3.543	1.496	0.323	0.169	11.67
4	100	3.94	8.27	9.00	7.50	8	0.75	15.63	0.71	0.87	4.518	4.491	2.000	12.20	4.293	4.278	1.63	11.46	4.480	2.252	12.60	4-8 NPT	1.77	12.09	4.331	1.752	0.394	0.209	13.93



True Union, Single Union, and Foot Valve Weight (POUNDS)

NOMINAL SIZE		SOCKET	FLANGED
INCHES	mm		
1/2	15	0.22	0.66
3/4	20	0.44	1.10
1	25	0.66	1.54
1 1/2	40	1.54	2.20
2	50	2.20	3.31
3	80	6.17	9.92
4	100	14.99	24.25

Cv Values

NOMINAL SIZE		Cv
INCHES	mm	
1/2	15	6.5
3/4	20	17
1	25	25
1 1/2	40	86
2	50	130
3	80	280
4	100	500

Sample Specification – (BALL CHECK VALVES)

All ball check valves and foot valves shall be of solid thermoplastic construction, and shall be designed with an elastomeric uniseat/seal for tight shut-off under pressure. Sizes 1/2" through 2" shall be of True Union design, while 3" & 4" shall be Single Union design. The same seal shall function as both the ball seat and the union seal. PVC shall conform to ASTM D1784 Cell Classification 12454-A, CPVC shall conform to ASTM D1784 Cell Classification 23567-A, PP shall conform to ASTM D4101 Cell Classification PP0210B67272 and PVDF shall conform to ASTM D3222 Cell Classification Type II. Ball Check valves and foot valves sizes 1/2" – 2" shall be rated 150 psi at 70 degrees F, 3" and 4" rated 100 psi at 70 degrees F, as manufactured by Asahi/America, Inc.

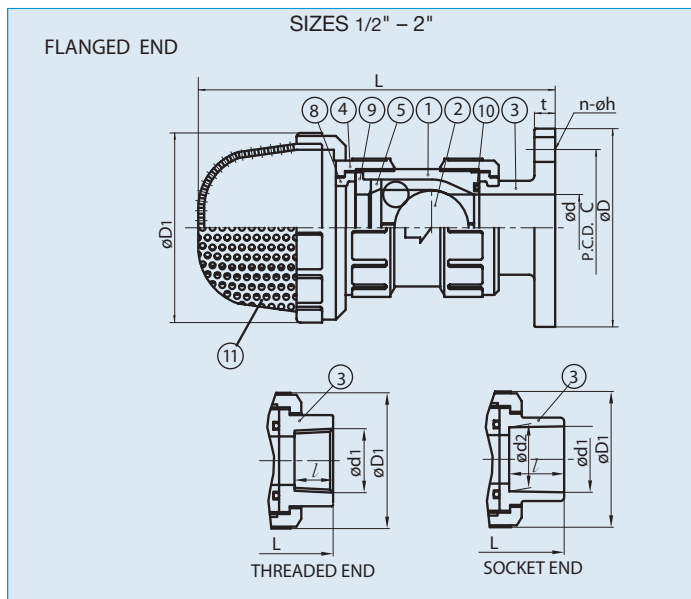
Ball Check

Foot Valve Option

Parts List Foot Valve (Sizes 1/2" – 2")

PARTS			
NO.	DESCRIPTION	PCS.	MATERIAL
1	Body	1	PVC
2	Ball	1	PVC
3	End Connector	1	PVC
4	Union Nut	1	PVC
5	Stop Ring (A)	1	PVC
8	Stop Ring (B)*	1	PVDF
9	Seat	1	EPDM, Viton®, PTFE
10	O-Ring	2	EPDM, Viton®, PTFE
11	Screen	1	PVC

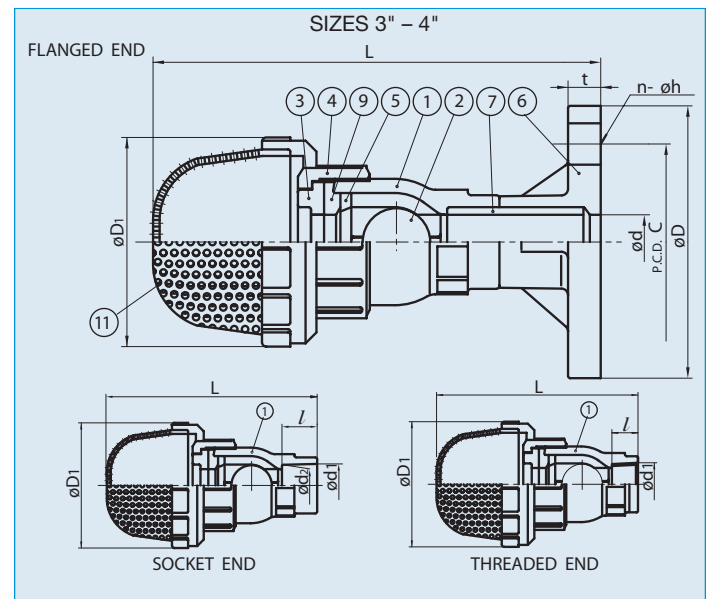
* Used for flanged end



Parts List Foot Valve (Sizes 3" – 4")

PARTS			
NO.	DESCRIPTION	PCS.	MATERIAL
1	Body	1	PVC
2	Ball	1	PVC
3	End Connector	1	PVC
4	Union Nut	1	PVC
5	Stop Ring (A)	1	PVC
6	Flange*	1	PVC
7	Stub*	1	PVC
9	Seat	1	EPDM, Viton®, PTFE
11	Screen	1	PVC

* Used for flanged end



Pressure vs. Temperature – BALL CHECK AND FOOT VALVES (PSI, WATER, NON-SHOCK)

NOMINAL SIZE		PVC		CPVC			PP			PVDF				
		30° F	120° F	30° F	121° F	141° F	176° F	-5° F	86° F	141° F	-30° F	141° F	176° F	196° F
INCHES	mm													
1/2 - 2	15-50	150	150	120	90	60	150	90	60	150	125	110	90	
3 - 4	80-100	100	100	90	60	45	75	60	45	100	90	60	45	

Foot Valve Wt. (LBS) Dimensions (1/2"– 4")

NOMINAL SIZE		SOCKET	FLANGED	NOMINAL SIZE		SOC.	THR'D	FLG.	
INCHES	mm			INCHES	mm				D1
1/2	15	0.22	0.66	1/2	15	1.89	4.73	4.69	5.40
3/4	20	0.44	0.88	3/4	20	2.36	5.32	5.52	6.40
1	25	0.66	1.32	1	25	2.76	6.24	6.32	6.90
1 1/2	40	1.54	3.31	1 1/2	40	3.78	8.33	8.33	8.50
2	50	2.20	3.31	2	50	4.17	8.97	9.17	10.50
3	80	7.71	11.02	3	80	8.27	12.60	11.80	14.60
4	100	15.43	23.14	4	100	10.24	18.25	18.25	20.25

Caution

- Never remove valve from pipeline under pressure.
- Always wear protective gloves and goggles.