

BRONZE BUTTERFLY VALVE – GROOVED ENDS UL, ULC & FM Approved

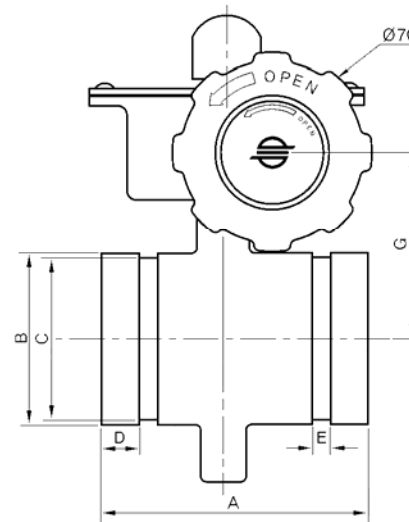
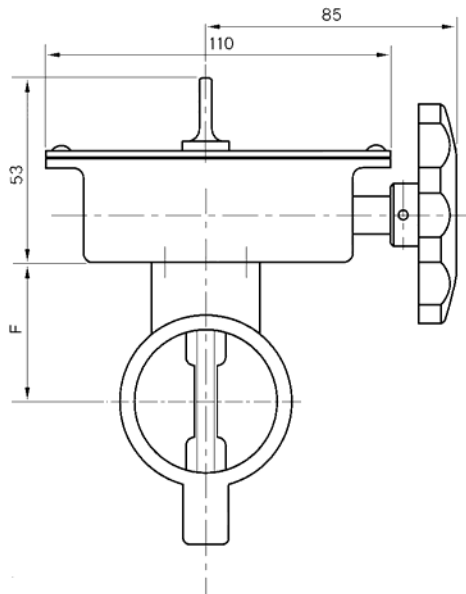
Fig. BBG



Indoor use only.
 Working pressure: 175 psi
 Max. Test pressure: 350 psi
 Working temperature: 120°C (250°F)
 Factory installed UL Approved Tamper Switch for indoor use only.

Materials:

Part Name	Specification
Body	Brass, Bronze
Disc	Brass, Ductile iron, EPDM encapsulated
Stem	Stainless steel, hardened & tempered
Housing	ASTM A536 Ductile iron
Handwheel	Steel



Dimensions:

Size		A		B		C		D		E		F		G		Weight	
in	mm	in	mm	in	mm	in	mm	in	mm	in	mm	in	mm	in	mm	lb	Kg
2	50	4.49	114	2.37	60	2.25	57	0.62	15.8	0.31	7.9	1.97	50	2.56	65	4.84	2.2
2½	65	4.49	114	2.87	73	2.72	69	0.62	15.8	0.31	7.9	1.97	50	2.56	65	5.28	2.4