

BRONZE BUTTERFLY VALVE – NPT ENDS UL, ULC & FM Approved

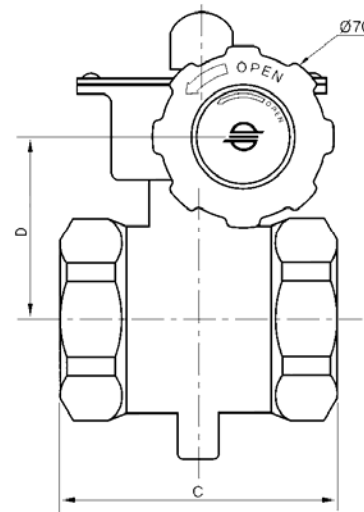
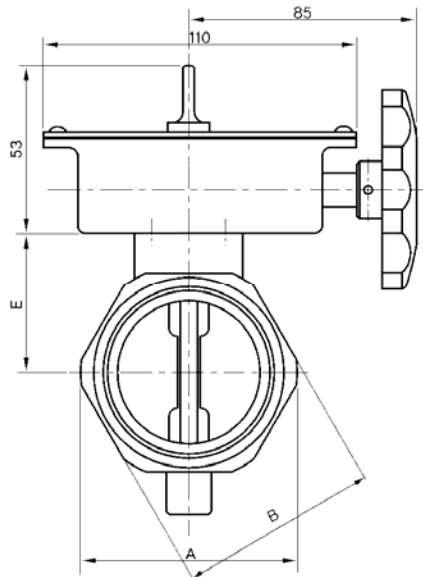
Fig. BBT



Indoor use only.
 Working pressure: 175 psi
 Max. Test pressure: 350 psi
 Working temperature: 120°C (250°F)
 Factory installed UL Approved Tamper Switch for indoor use only.

Materials:

Part Name	Specification
Body	Brass, Bronze
Disc	Brass, Ductile iron, EPDM encapsulated
Stem	Stainless steel, hardened & tempered
Housing	ASTM A536 Ductile iron
Handwheel	Steel



Dimensions:

Size		A		B		C		D		E		Weight	
in	mm	in	mm	in	mm	in	mm	in	mm	in	mm	lb	Kg
1	25	1.72	44	1.56	40	2.13	54	2.05	52	1.46	1.5	3.3	1.5
1¼	32	2.09	53	1.93	49	2.64	67	2.20	56	1.61	1.7	3.7	1.7
1½	40	2.30	58	2.20	56	2.87	73	2.32	59	1.73	1.8	3.9	1.8
2	50	2.99	76	2.76	70	3.24	82	2.52	64	1.93	2.4	5.3	2.4
2½	65	3.50	89	3.31	84	4.09	104	2.56	65	1.97	3.1	6.6	3.1