

## GROOVED END BUTTERFLY VALVE UL, ULC & FM Approved

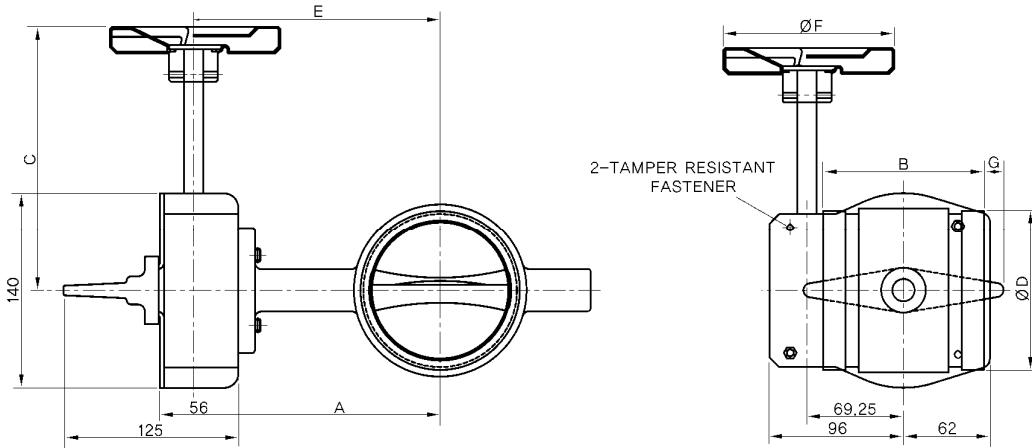
**Fig. BGAG**



Indoor & Outdoor use.  
 Working pressure: 300 psi  
 Max. Test pressure: 600 psi  
 Working temperature: 120°C (250°F)  
 Factory installed UL Approved Tamper  
 Switch for indoor & outdoor use.

**Materials:**

Part Name	Specification
Body	Ductile iron Nylon 11 coated
Disc	Al-Bronze, Ductile iron, EPDM encapsulated
Stem	Stainless steel, hardened & tempered
Housing	ASTM A536 Ductile iron
Handwheel	ASTM A536 Ductile iron



**Dimensions:**

Size		A		B		C		D		E		F		G		Weight	
in	mm	in	mm	in	mm	in	mm	in	mm	in	mm	in	mm	in	mm	lb	Kg
2½	65	4.13	105	3.80	96	6.61	168	2.88	73	5.39	137	4.92	125	-	-	18.6	8.45
3	80	4.41	112	3.80	96	6.61	168	3.50	89	5.67	144	4.92	125	-	-	19.7	8.95
4	100	5.71	145	4.54	115	6.61	168	4.50	114	6.97	177	4.92	125	-	-	23.6	10.7
6	150	7.05	179	5.21	132	8.19	208	6.63	168	8.31	211	8.86	225	0.27	6.8	34.1	15.5
8	200	8.03	204	5.80	147	8.19	208	8.62	219	9.29	236	8.86	225	0.95	24.2	44.9	20.4