

ANSI CLASS 600 CAST STEEL GATE VALVE

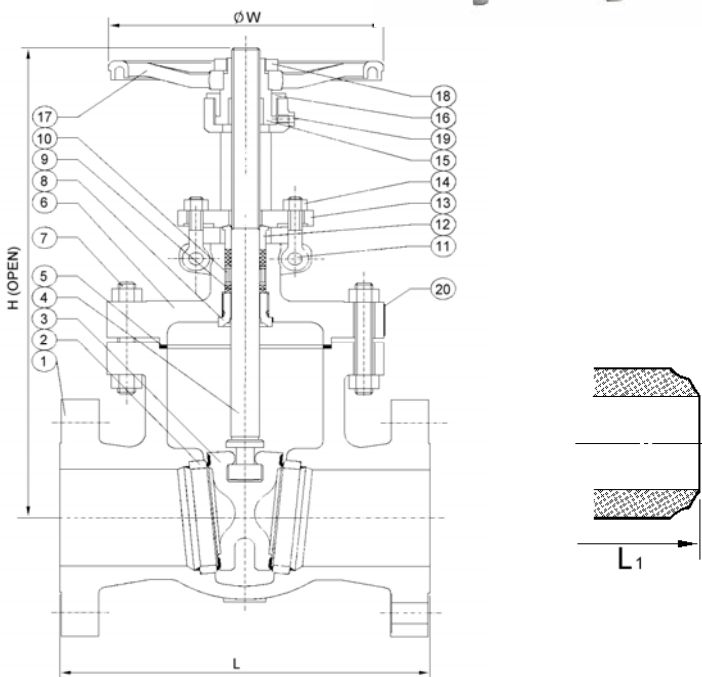
FIG. 272-CS-600 Class 600, Flanged ends, bolted bonnet, WCB body & bonnet, 13Cr/HF trim.



Flange dimensions: ANSI B16.5
 Butt-weld end dimensions: ANSI B16.25
 Face-to-Face dimensions: ANSI B16.10
 Testing: API 598
 Design: API 600

Materials:

No.	Part Name	Specification
1	Body	A216 WCB
2	Seat ring	A105 HF
3	Wedge/disc	WCB, 13Cr Overlay
4	Stem	A276 – 410, 420
5	Gasket	304 Wound Grafoil
6	Bonnet	A216 WCB
7	Stud/nut	B7/2H
8	Back seat	A276 – 410, 420
9	Packing	Grafoil
10	Lantern	A276 – 410, 420
11	Pin	Carbon steel
12	Gland	A276 – 410, 420
13	Gland flange	Carbon steel
14	Eye bolt/nut	B7/2H
15	Stem nut	ASTM B-148
16	Retaining nut	Carbon steel
17	Handwheel	Ductile iron
18	Handwheel nut	Carbon steel
19	Grease fitting	Brass/steel
20	Nameplate	321SS



Note: Other body materials and trims are available upon request.

Dimensions:

Size		L-L1 (RF/BW)		H (open)		W		Weight (RF)		Weight (BW)	
in	mm	in	mm	in	mm	in	mm	lb	kg	lb	kg
2	50	11½	292	18⅝	474	9	240	97	44	77	35
2½	65	13	330	21¼	553	10	250	132	60	110	50
3	80	14	356	23⅜	593	11	280	176	80	150	68
4	100	17	432	28	713	12	300	320	145	229	104
6	150	22	559	38¼	970	14	350	680	309	459	208
8	200	26	660	44¼	1122	16	400	950	432	723	328
10	250	31	787	52⅝	1330	18	450	1615	734	1093	496
12	300	33	838	59¼	1519	19	500	2240	1018	1404	638
14	350	35	889	68⅝	1730	23	600	2835	1289	2469	1122
16	400	39	991	72¼	1835	25	650	4005	1820	3192	1451
18	450	43	1092	90⅝	2290	27	700	4730	2150	4030	1831
20	500	47	1194	98¼	2510	33	850	5590	2541	4852	2205
24	600	55	1397	119	3022	36	900	8980	4082	7280	3309