

ANSI CLASS 150 CAST STEEL GLOBE VALVE

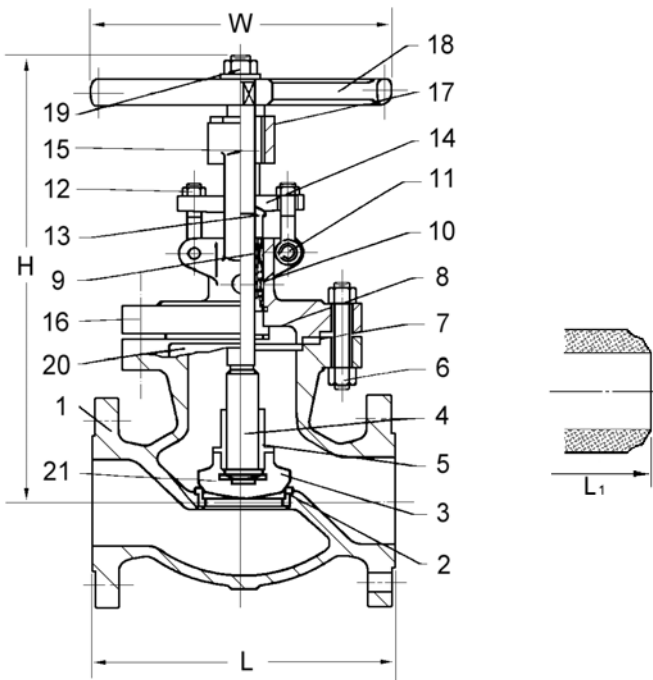
FIG. 276-CS-150 Class 150, Flanged ends, bolted bonnet, WCB body & bonnet, 13Cr/HF trim.



Flange dimensions: ANSI B16.5
 Butt weld dimensions: ANSI B16.25
 Face-to-Face dimensions: ANSI B16.10
 Testing: API 598
 Design: API 600

Materials:

No.	Part Name	Specification
1	Body	A216 WCB
2	Seat ring	A105 HF
3	Disc	A276 – 410, 420
4	Stem	A276 – 410, 420
5	Disc nut	A276 – 420, 420
6	Stud/nut	B7/2H
7	Gasket	304SS Wound Grafoil
8	Back seat	A276 – 410, 420
9	Packing	Grafoil
10	Lantern*	A276-410, 420
11	Pin	Carbon steel
12	Eye bolt/nut	B7/2H
13	Gland	A276-410, 420
14	Gland flange	Carbon steel
15	Stem nut	D2
16	Bonnet	A216 WCB
17	Set screw	Carbon steel
18	Handwheel	Ductile iron
19	Handwheel nut	Carbon steel
20	Nameplate	321SS
21	Thrust plate	A276-420



Note: Standard is Plug style disc w/ threaded seat ring.

*Supplied only on special order.

Note: Other body materials and trims are available upon request

Dimensions:

Size		L – L1 (RF/BW)		H (open)		W		Weight RF		Weight BW	
in	mm	in	mm	in	mm	in	mm	lb	kg	lb	kg
2	50	8	203	14 ³ / ₄	373	7 ⁷ / ₈	200	51	23	42	19
2½	65	8½	216	15 ³ / ₈	390	9 ⁷ / ₈	250	68	31	55	25
3	80	9½	241	16½	421	9 ⁷ / ₈	250	90	41	75	34
4	100	11½	292	20¼	515	11¼	300	141	64	121	55
5	125	14	356	21¼	538	11¼	300	189	86	154	70
6	150	16	406	22¼	567	13¼	350	240	109	200	91
8	200	19½	495	24½	626	15¼	400	420	191	370	168
10	250	24½	622	28	712	17¼	450	581	264	499	227
12	300	27½	698	39	990	24	610	950	432	750	341